

# TASCAM

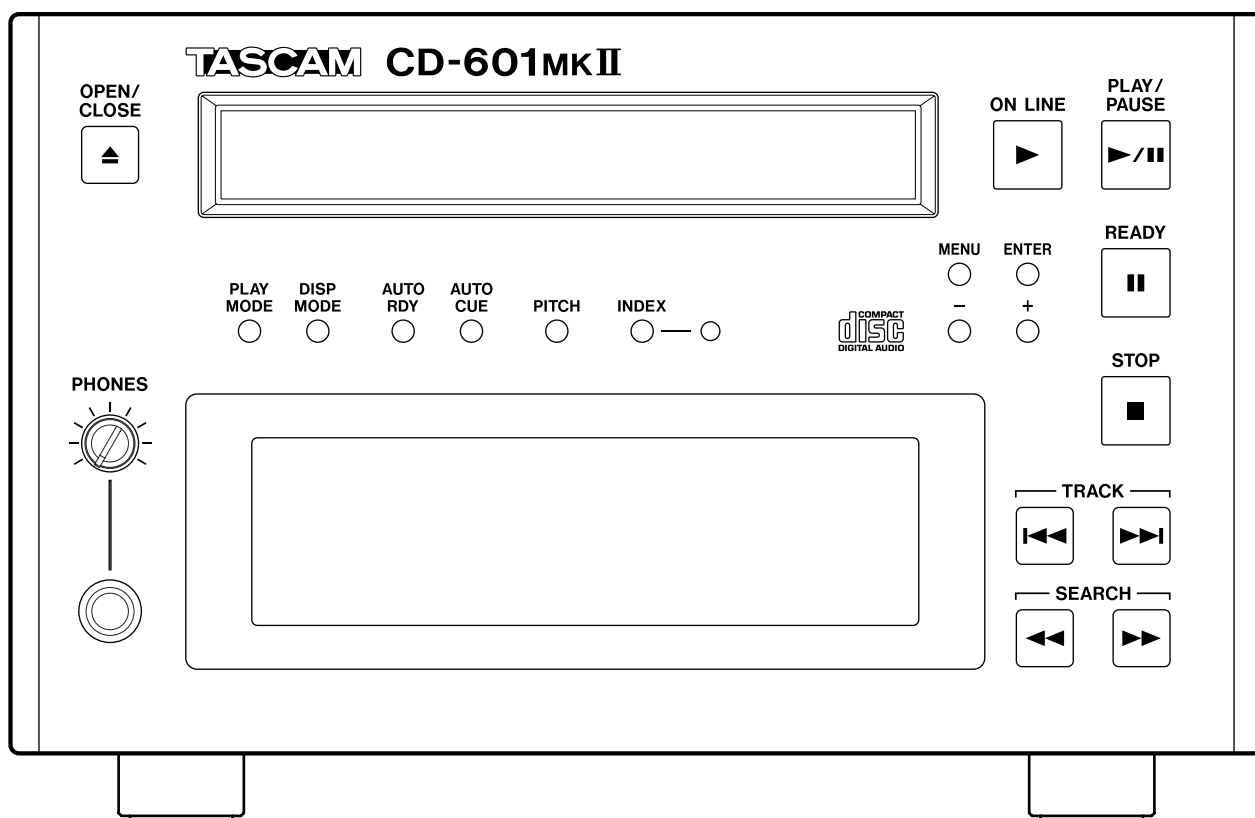
TEAC Professional Division

D00811701A

# CD-601MKII

## CD PLAYER

### OWNER'S MANUAL



# Important Safety Precautions



**CAUTION**  
RISK OF ELECTRIC SHOCK  
DO NOT OPEN



CAUTION: TO REDUCE THE RISK OF ELECTRIC SHOCK, DO NOT REMOVE COVER (OR BACK). NO USER-SERVICEABLE PARTS INSIDE. REFER SERVICING TO QUALIFIED SERVICE PERSONNEL.



The lightning flash with arrowhead symbol, within equilateral triangle, is intended to alert the user to the presence of uninsulated "dangerous voltage" within the product's enclosure that may be of sufficient magnitude to constitute a risk of electric shock to persons.



The exclamation point within an equilateral triangle is intended to alert the user to the presence of important operating and maintenance (servicing) instructions in the literature accompanying the appliance.

This appliance has a serial number located on the rear panel. Please record the model number and serial number and retain them for your records.

Model number \_\_\_\_\_

Serial number \_\_\_\_\_

**WARNING: TO PREVENT FIRE OR SHOCK HAZARD, DO NOT EXPOSE THIS APPLIANCE TO RAIN OR MOISTURE.**

## For U.S.A.

### TO THE USER

This equipment has been tested and found to comply with the limits for a Class A digital device, pursuant to Part 15 of the FCC Rules. These limits are designed to provide reasonable protection against harmful interference when the equipment is operated in a commercial environment. This equipment generates, uses, and can radiate radio frequency energy and, if not installed and used in accordance with the instruction manual, may cause harmful interference to radio communications.

Operation of this equipment in a residential area is likely to cause harmful interference in which case the user will be required to correct the interference at his own expense.

### CAUTION

Changes or modifications to this equipment not expressly approved by TEAC CORPORATION for compliance could void the user's authority to operate this equipment.

## For the customers in Europe

### WARNING

This is a Class A product. In a domestic environment, this product may cause radio interference in which case the user may be required to take adequate measures.

## Pour les utilisateurs en Europe

### AVERTISSEMENT

Il s'agit d'un produit de Classe A. Dans un environnement domestique, cet appareil peut provoquer des interférences radio, dans ce cas l'utilisateur peut être amené à prendre des mesures appropriées.

## Für Kunden in Europa

### Warnung

Dies ist eine Einrichtung, welche die Funk-Entstörung nach Klasse A besitzt. Diese Einrichtung kann im Wohnbereich Funkstörungen verursachen; in diesem Fall kann vom Betreiber verlangt werden, angemessene Maßnahmen durchzuführen und dafür aufzukommen.

## CE Marking Information

- a) Applicable electromagnetic environment: E4
- b) Peak inrush current: 2.5 A

# Important Safety Instructions

---

- 1 Read these instructions.
  - 2 Keep these instructions.
  - 3 Heed all warnings.
  - 4 Follow all instructions.
  - 5 Do not use this apparatus near water.
  - 6 Clean only with dry cloth.
  - 7 Do not block any ventilation openings. Install in accordance with the manufacturer's instructions.
  - 8 Do not install near any heat sources such as radiators, heat registers, stoves, or other apparatus (including amplifiers) that produce heat.
  - 9 Do not defeat the safety purpose of the polarized or grounding-type plug. A polarized plug has two blades with one wider than the other. A grounding type plug has two blades and a third grounding prong. The wide blade or the third prong are provided for your safety. If the provided plug does not fit into your outlet, consult an electrician for replacement of the obsolete outlet.
  - 10 Protect the power cord from being walked on or pinched particularly at plugs, convenience receptacles, and the point where they exit from the apparatus.
  - 11 Only use attachments/accessories specified by the manufacturer.
  - 12 Use only with the cart, stand, tripod, bracket, or table specified by the manufacturer, or sold with the apparatus. When a cart is used, use caution when moving the cart/apparatus combination to avoid injury from tip-over.
- Do not expose this apparatus to drips or splashes.
  - Do not place any objects filled with liquids, such as vases, on the apparatus.
  - Do not install this apparatus in a confined space such as a book case or similar unit.
  - The apparatus draws nominal non-operating power from the AC outlet with its POWER switch in the off position.
  - The apparatus should be located close enough to the AC outlet so that you can easily grasp the power cord plug at any time.
  - Apparatus with Class I construction shall be connected to an AC outlet with a protective grounding connection.



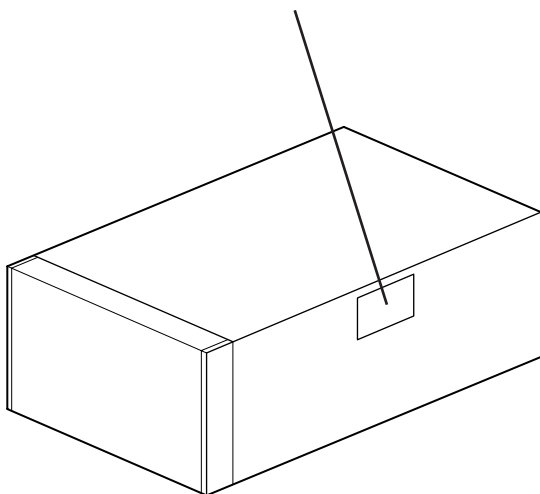
- 13 Unplug this apparatus during lightning storms or when unused for long periods of time.
- 14 Refer all servicing to qualified service personnel. Servicing is required when the apparatus has been damaged in any way, such as power-supply cord or plug is damaged, liquid has been spilled or objects have fallen into the apparatus, the apparatus has been exposed to rain or moisture, does not operate normally, or has been dropped.

# Safety Information

This product has been designed and manufactured according to FDA regulations "title 21, CFR, chapter 1, subchapter J, based on the Radiation Control for Health and Safety Act of 1968", and is classified as a class 1 laser product. There is no hazardous invisible laser radiation during operation because invisible laser radiation emitted inside of this product is completely confined in the protective housings. The label required in this regulation is shown ①.



For U.S.A.



## CAUTION

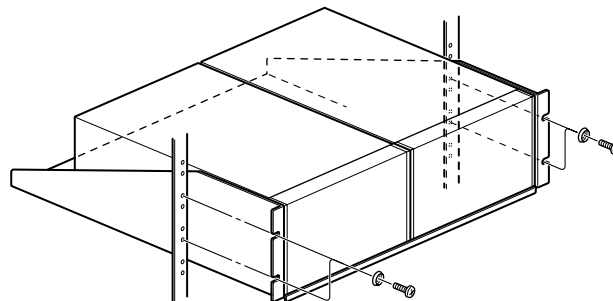
- DO NOT REMOVE THE PROTECTIVE HOUSING USING A SCREWDRIVER.
- USE OF CONTROLS OR ADJUSTMENTS OR PERFORMANCE OF PROCEDURES OTHER THAN THOSE SPECIFIED HEREIN MAY RESULT IN HAZARDOUS RADIATION EXPOSURE.
- IF THIS PRODUCT DEVELOPS TROUBLE, CONTACT YOUR NEAREST QUALIFIED SERVICE PERSONNEL, AND DO NOT USE THE PRODUCT IN ITS DAMAGED STATE.

### Optical pickup:

Type:	KSS-213C
Manufacturer:	SONY Corporation
Laser output:	Less than 0.4 mW on the objective lens
Wavelength:	760 to 800 nm

## Rack-mounting the Unit

The CD-601MKII can be mounted in a standard 19-inch rack by using the optional RM-601 rack shelf as shown below.



## NOTE

- Leave 1U of space above the unit for ventilation.
- Allow at least 10 cm (4 in) at the rear of the unit for ventilation.

# Contents

---

<b>INTRODUCTION .....</b>	<b>6</b>	<b>PLAYBACK-RELATED FUNCTIONS .....</b>	<b>20</b>
Features .....	6	Program Playback.....	20
Product Configuration .....	6	Entering the program mode.....	20
Precautions on Installation Locations .....	6	Programming .....	20
About Backup Memory.....	7	Swapping programmed tracks.....	20
Precautions upon Use.....	7	Adding program tunes .....	20
Handling CDs (compact discs).....	7	Deleting program tunes .....	20
<b>NAMES &amp; FUNCTIONS OF PARTS .....</b>	<b>8</b>	Clearing a program.....	20
Front Panel .....	8	Auto Cue Function .....	20
Display Window .....	10	Setting the Auto Cue Level.....	21
Rear Panel.....	11	Setting Auto Cue Up.....	21
<b>BASIC OPERATIONS.....</b>	<b>12</b>	Auto Ready Function .....	21
Online Playback and Monitor Playback .....	12	Pitch Control Function.....	21
Preparations.....	12	Incremental Play Function .....	21
Selecting the Playback Mode.....	12	<b>OUTPUT-RELATED SETTINGS .....</b>	<b>22</b>
Playing a Specific Tune from the Beginning		Setting the Terminals for Online Output .....	22
(SINGLE play) .....	13	Setting the Terminals for Monitor Output .....	22
Playing from an Intermediate Point in a Tune.....	14	Setting Stereo/Monaural .....	22
Auto-registering Cue Points .....	14	Setting the Output Level .....	22
Details of Transport Key Operations .....	15	<b>OTHER FUNCTIONS &amp; SETTINGS .....</b>	<b>23</b>
READY key .....	15	Referencing to an External Clock Source .....	23
ON LINE key .....	15	Failsafe Function.....	23
PLAY/PAUSE key .....	15	Displaying the End of Track Warning .....	23
STOP key .....	15	Switching the Time Display .....	23
Selecting the Playback Point .....	16	Clearing the Frame Display .....	24
Selecting a track .....	16	Timer Play Function .....	24
Selecting the index .....	16	Viewing the Total Motor Time .....	24
Searching for an Intermediate Point in a Tune .....	16	<b>EXTERNAL CONTROL .....</b>	<b>25</b>
<b>MENU OPERATIONS .....</b>	<b>17</b>	Parallel Control .....	25
Menu Configuration.....	17	Setting fader start/stop .....	25
Menu Operation Basics.....	18	Control from the RC-601MKII .....	26
Saving Menu Settings .....	19	Setting operation on the CD player .....	26
Clearing Menu Settings.....	19	Control from the RS-232C interface.....	26
Clearing all user banks .....	19	Setting the baud rate .....	26
Clearing individual user banks .....	19	<b>SPECIFICATIONS.....</b>	<b>27</b>
		List of Error Messages .....	28

# INTRODUCTION

---

Before you start using this product, thoroughly read and understand this manual. After you have finished reading this manual, be sure to keep it in a safe place so that it can be retrieved whenever necessary.

---

## Features

---

The CD-601MKII is a professional-use CD player for use in broadcasting stations, post-production, sound production, and other commercial uses. Its features include:

- Rack-mountable 3U, half-rack size by using the rack mount tray (sold separately)
- Playback of audio discs made using CD-R and CD-RW discs in addition to commercially available audio CDs
- Provided with XLR (balance) and RCA (unbalance) analog output terminals, and XLR (AES/EBU) and RCA (S/PDIF) digital output terminals
- Two playback modes are provided, online playback for final take, and monitor playback for rehearsals. Each of these playback signals can be output from different output terminals.
- Instant start for instantly starting playback
- Standby at audio start point of track enabled by auto cue function.
- Cueing can be performed at single-frame accuracy.
- Searching of the index is possible.
- In addition to regular playback of all tunes, single playback of a single tune and program playback of various tunes in a desired order are also possible.
- The Auto Ready Function enables the CD player to automatically stand by at the start of the next track after a track has been played.
- The Incremental Play function enables the CD player to automatically stand by at the start of the next track when track playback has been cancelled.
- The Failsafe function prevents inadvertent operation during playback of the final take.
- Synchronization with an external word clock (44.1 kHz, 48 kHz) is possible.  
During synchronization with an external 48 kHz clock, the CD playback signal is digitally output at a sampling frequency of 48 kHz.
- $\pm 12.5\%$  pitch control function
- The Timer Play function automatically starts monitor playback when the power is turned ON.
- CD text can be displayed.
- Provided with parallel terminal for control such as fader start/stop from external equipment.
- Provided with serial (RS-232C) terminal for control from a PC or editing equipment.

- Operability can be improved and functions expanded by connecting the RC-601MKII Remote Control Unit (sold separately).
- Headphone terminal/level knob for a monitor are provided on the front panel.

## About Terms Used in This Manual

This manual uses the following terms:

“**Online READY**” is used to indicate an “online playback standby state” and

“**Monitor PAUSE**” is used to indicate a “monitor playback standby state.”

---

## Product Configuration

---

This product comprises the following items:

- |                                |     |
|--------------------------------|-----|
| • CD-601MKII unit              | x 1 |
| • Power cable                  | x 1 |
| • Owner's Manual (this manual) | x 1 |
| • Warranty                     | x 1 |

When unpacking this product, take care not to damage the product. Store the box and packaging materials so that they can be used for transporting the product at a later date.

If you find that any parts are missing or parts have been damaged during transportation, contact us immediately.

---

## Precautions on Installation Locations

---

Do not install this product at the following locations. Doing so might cause audio quality to drop or cause the product to malfunction.

- Surfaces included 5° or more
- Locations subject to lots of vibrations or unstable locations
- Next to windows or other locations subject to the direct sunlight
- Next to heating apparatus or other locations subject to extremely high temperatures
- Locations subject to extremely low temperatures
- Locations subject to lots of humidity or poorly ventilated locations
- Next to tuners, TVs or video recorder decks

Installing this product near such locations may disturb video images or cause noise.

## INTRODUCTION

### About Backup Memory

The following setup information is stored to backup memory on the CD-601MKII so that the same settings are reproduced when this product is next turned ON.

- Playback mode
- Time display mode
- Auto ready function ON/OFF
- Auto cue function ON/OFF
- Pitch control function ON/OFF
- Pitch control value
- Index search function ON/OFF
- Settings for each of the menu items (\*)

(\*): When the "USER" menu is set to "PRE", the menu item settings return to their defaults each time that the power is turned ON. (→ page 19 "Saving Menu Settings")

### Precautions upon Use

#### About the power supply

Connect this CD player to the specified power supply. Do not connect to other power supplies.

When connecting or disconnecting the power cable, hold it by its plug.

#### Daily care of the CD player

Do not wipe the CD player's body with chemical-impregnated cloth, or a cloth soaked with benzene, paint thinner or other organic solvent. Doing so might damage the surface of the CD player's body. Wipe off stubborn dirt on the top cover or panels with a soft cloth moistened with a small amount of diluted neutral detergent.

#### About condensation

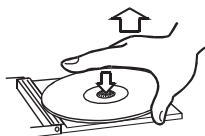
When the CD player (or a compact disc) is moved from a cold to a warm, heated room (e.g. in winter), or immediately after heating apparatus in the room where the CD player is installed is turned ON, water droplets (condensation) may form inside the CD player. This will not only prevent the CD player from operating normally but also may damage discs or precision components inside the CD player. If condensation forms, leave the CD player turned ON for one or two hours to acclimatize and allow water droplets to evaporate so that the CD player can operate normally. Before moving the CD player or when the CD player is not used, remove the disc.

### Handling CDs (compact discs)

This CD player can play back CD-DA format CDs.

Both commercially available audio CDs (120 mm/80 mm) and normally recorded CD-R/CD-RW discs can also be used.

- To take a disc out of its storage case, press down on the centre of the case and lift the disc out, holding it carefully by its edges.



Correct way of taking a compact disc out of its storage case



Correct ways of holding a compact disc

- Fingerprints or dust on the recording surface should be carefully wiped off by wiping in a straight motion from the inside to the outside of the disc with a soft cloth. Dirt on discs causes the laser pickup to jump. So, keep discs in a clean state at all times and store them in their storage cases.

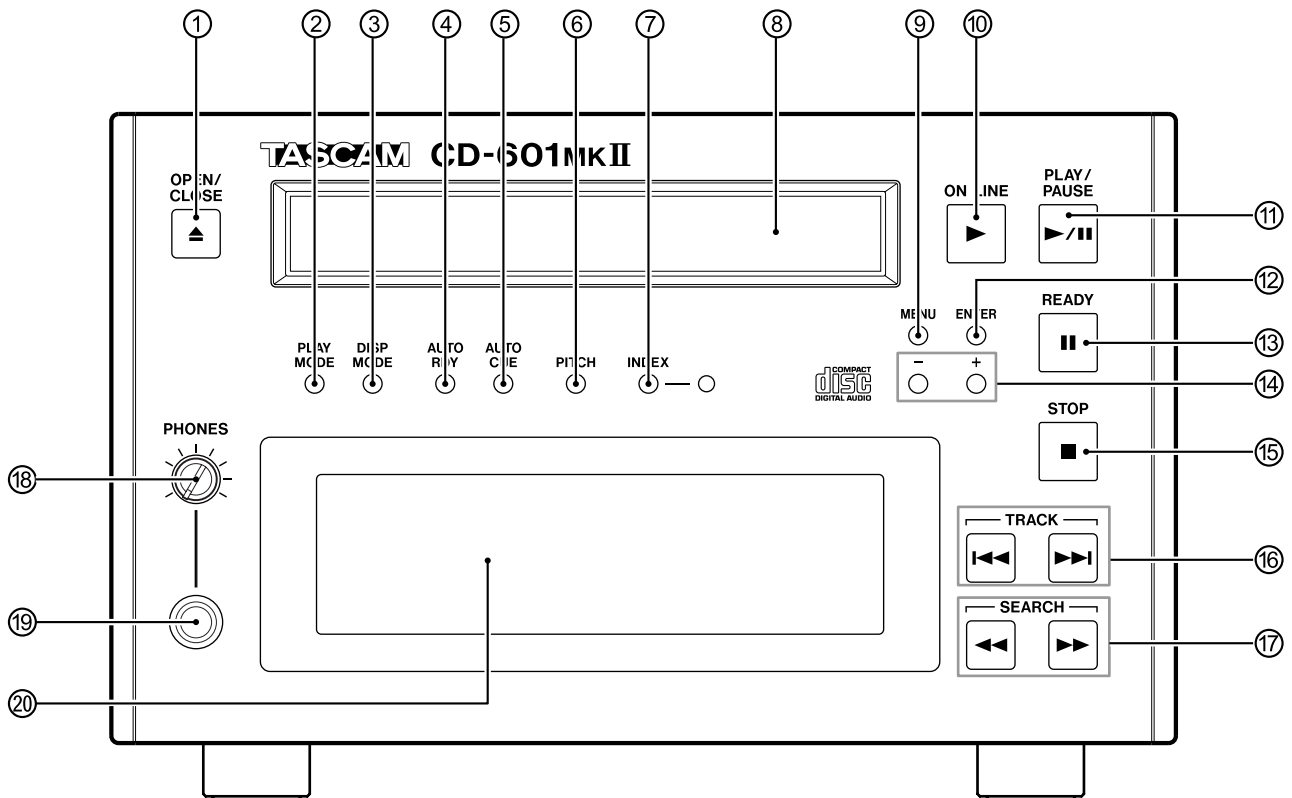


- Never use record sprays, antistatic sprays, benzene, paint thinner, or other organic solvents. Chemical products such as these may damage the surface of the disc.
- Do not expose discs to the direct sunlight or high temperature or humidity. Long exposure to high temperatures may cause them to warp or become deformed.
- Do not stick paper or write anything with a ballpoint pen on the label surface.
- Do not use discs from which cellophane tape or rental CD stickers have been peeled off, or discs with adhesive from stickers still sticking to the disc. Leaving discs such as these in the CD player may prevent the disc from being removed or cause a malfunction.



# NAMES & FUNCTIONS OF PARTS

## Front Panel



### ① OPEN/CLOSE key (▲)

Opens and closes the tray.

### ② PLAY MODE key

Select the playback mode from regular playback (playback of all tunes), single playback, and program playback.

The current playback mode is displayed in the playback mode display area of the display window. (→ page 12 “Selecting the Playback Mode”)

### ③ DISP MODE key

Each press of this key switches the time display mode. As the default setting, the time display mode is switched between “track elapsed time” and “track remaining time.” You can select the display modes to be switched between using the menu. (→ page 23 “Switching the Time Display”)

### ④ AUTO RDY key

Switches the auto ready function (for automatically standing by at the start of the next track after a track has been played) ON/OFF. When this function is ON, “A.READY” is lit in the display window. (→ page 21 “Auto Ready Function”)

### ⑤ AUTO CUE key

Switches the auto cue function (mainly for searching for the actual track start cue point during a track search) ON/OFF. When this function is ON, “A.CUE” is lit in the display window. (→ page 20 “Auto Cue Function”)

### ⑥ PITCH key

Switches the pitch control function ON/OFF. When this function is set to ON, “PITCH” and the setting value (%) are lit in the display window. The +/- keys are used to set the pitch in  $\pm 12.5\%$  increments. (→ page 21 “Pitch Control Function”)

### ⑦ INDEX key/indicator

Switches the index search function ON/OFF. The index search is possible using the **TRACK** key while the INDEX indicator is lit. (→ page 16 “Selecting the index”)

### ⑧ Disc tray

This is the tray for placing the disc on.

### ⑨ MENU key

Switches the menu mode ON/OFF. Various settings can be made using the menu. (→ page 17 “Menu Operations”)

### ⑩ ON LINE key (▶)

When this key is pressed in the online READY mode (**READY** key is lit), online playback is performed. During online playback, this key is lit (green). (→ page 15 “Details of Transport Key Operations”)



## NAMES & FUNCTIONS OF PARTS

---

### ⑪ **PLAY/PAUSE key (▶/II)**

When this key is pressed while disc operation is stopped, in the online READY mode or during monitor playback, the CD player enters the monitor PAUSE mode. When it is pressed in the monitor PAUSE mode, monitor playback is started.

During monitor playback, this key is lit yellow, and in the monitor PAUSE mode, it blinks. (→ page 15 “Details of Transport Key Operations”)

### ⑫ **ENTER key**

Press this key to apply selections or settings during menu operations.

### ⑬ **READY key (II)**

Pressing this key sets the CD player to the online READY mode.

The online READY point differs according to the state of the CD player when this key is pressed. (→ page 15 “Details of Transport Key Operations”)

### ⑭ **+/- key**

This key is used to select items or setting values during menu operations.

It is also used to set pitch control values.

### ⑮ **STOP key (■)**

Pressing this key stops disc operations. This key is lit while disc operations are stopped. (→ page 15 “Details of Transport Key Operations”)

### ⑯ **TRACK (I◀◀/▶▶I) key**

This key is used to perform a track search (skip). An index search is performed when the INDEX indicator is lit. The operation after a skip differs according the operation state when this key is pressed, the auto cue settings, and auto cue up setting. (→ page 16 “Selecting the Track”)

### ⑰ **SEARCH (◀◀/▶▶) key**

Holding down this key during monitor playback or in the monitor PAUSE mode performs a cue search. (→ page 16 “Searching for an Intermediate Point in a Tune”)

### ⑱ **PHONES level knob**

Adjusts the headphone output level.

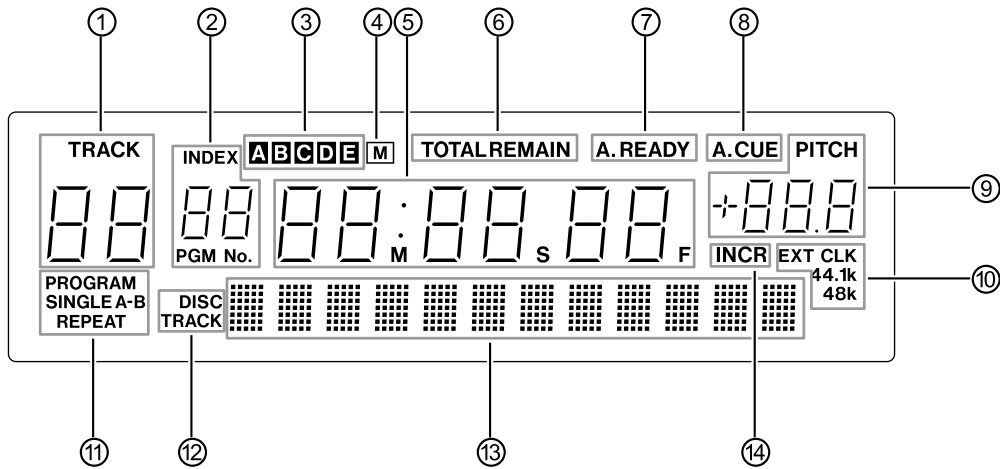
### ⑲ **PHONES jack**

This is the standard phone jack for connecting stereo headphones. When connecting a mini plug headphone, use a conversion adapter.

### ⑳ **Display window**

This window displays disc information, CD player operation mode, menus, and various other information.

**Display Window**



**① Track display area**

Displays the track No. currently being played back or currently selected track.  
In the menu mode, displays the menu No.

**② Index/program display area**

Displays the index No. currently being played back or currently selected index. During setting of the program, displays the program step No.

**③ Memory bank display area**

Displays the currently selected memory bank (one of A to E). The memory function is enabled when the Remote Control Unit RC-601MKII (sold separately) is connected.

**④ Memory display area**

“M” is lit when information such as the disc cue point is saved to internal memory. The memory function is enabled when the Remote Control Unit RC-601MKII (sold separately) is connected.

**⑤ Time display area**

Displays the time information.  
In the menu mode, displays the menu items. In the menu item display, alphabet characters are displayed as follows:

A B C D E F G H I J K L M N O P Q R S T U V W X Y Z  
A b C d E F G H I J K L M n O P Q r S t U v W x Y z

**⑥ Time display mode display area**

This area is lit as follows according to the time display mode. (→ page 23 “Switching the Time Display”)

- In the disc remaining time mode : **TOTAL** and **REMAIN** are lit.
- In the disc total time mode : **TOTAL** is lit.
- In the track time mode : **TOTAL** blinks.
- In the track remaining time mode : **REMAIN** is lit.

**⑦ Auto ready display area**

Lit when the auto ready function is ON. (→ page 21 “Auto Ready Function”)

**⑧ Auto cue display area**

Lit when the auto cue function is ON. (→ page 20 “Auto Cue Function”)

**⑨ Pitch control display area**

When pitch control is ON, “PITCH” is lit and the pitch control value is displayed. (→ page 21 “Pitch Control Function”)  
Also, in the menu mode, the setting value is displayed.

**⑩ Clock display area**

When the CD player is synchronized with an external clock, “EXT CLK” is lit, displaying the sampling frequency. When the operation clock is set to “EXT” and the CD player is not synchronized with an external clock, “EXT CLK” blinks. (→ page 23 “Referencing to an External Clock Source”)

**⑪ Playback mode/repeat mode display area**

Displays the playback mode and repeat mode. (→ page 12 “Selecting the Playback Mode”)  
The repeat function is enabled when the Remote Control Unit RC-601MKII (sold separately) is connected.

**⑫ Disc/track display area**

Displays according to the display details while CD text is displayed on the character display area.  
When disc information is displayed : “DISC” is lit.  
When track information is displayed : “TRACK” is lit.

**⑬ Character display area**

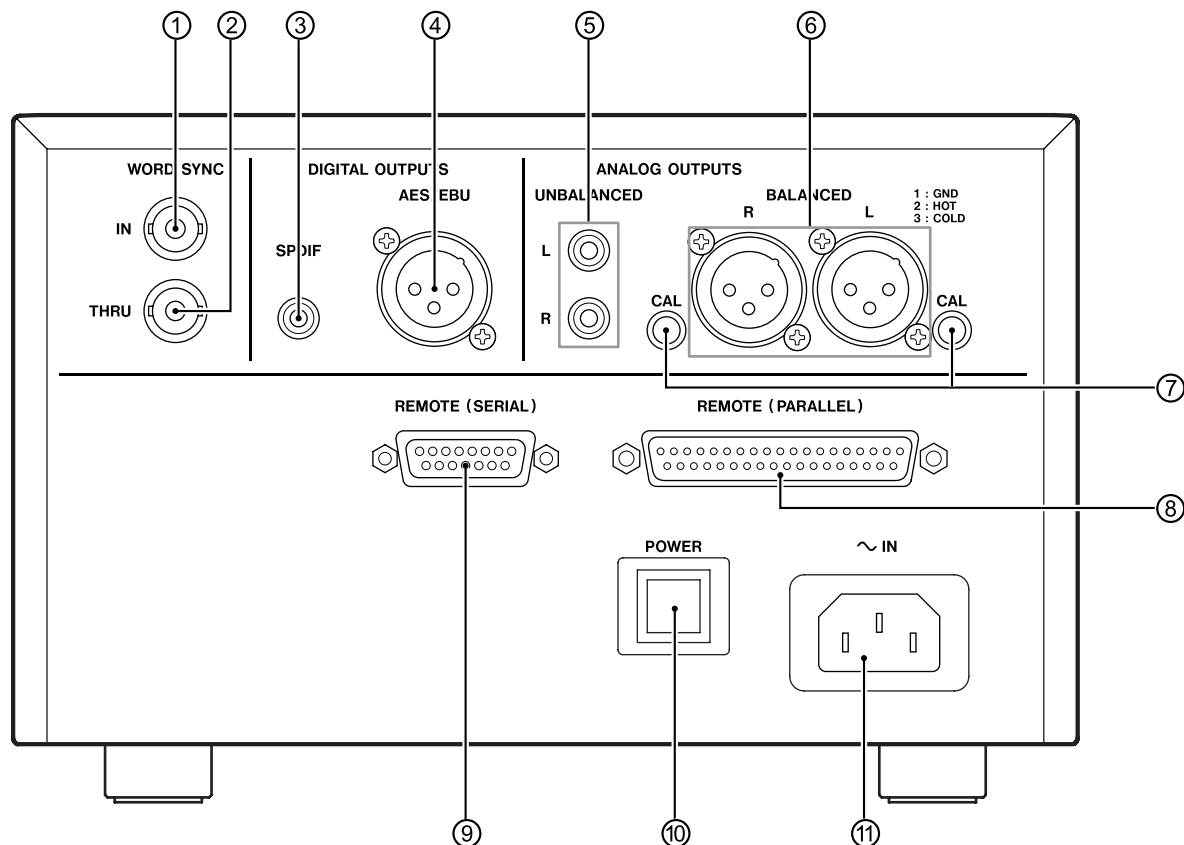
Displays CD text or menu item details.

**⑭ Incremental play display area**

Lights when the incremental play function is ON. (→ page 21 “Incremental Play Function”)

## NAMES & FUNCTIONS OF PARTS

### Rear Panel



#### ① WORD SYNC IN terminal

This terminal is for inputting the word clock signal. When the CD player is operated referenced to an external clock (EXT), the word clock that is input to this terminal becomes the reference clock.

#### ② WORD SYNC THRU terminal

This terminal is for outputting the input word clock signal, allowing it to be sent to other digital equipment as it is.

#### ③ DIGITAL OUTPUTS - SPDIF terminal

This co-axial digital output terminal is for outputting the disc playback signal in IEC60958-3 (S/PDIF) format. In the default setting, the playback signal is output in either of online playback and monitor playback.

#### ④ DIGITAL OUTPUTS - AES/EBU terminal

This digital output terminal is for outputting the disc playback signal in IEC60958-4 (AES/EBU) format. In the default setting, the playback signal is output in either of online playback and monitor playback.

#### ⑤ ANALOG OUTPUTS - UNBALANCED (L, R) terminals

This analog unbalance output terminal (RCA pin) is for outputting the disc playback signal. In the default setting, the playback signal is output in either of online playback and monitor playback.

#### ⑥ ANALOG OUTPUTS - BALANCED (L, R) terminals

This analog unbalance output terminal is for outputting the disc playback signal. In the default setting, the playback signal is output in either of online playback and monitor playback.

#### ⑦ CAL knobs

These semi-fixed control knobs are for the analog balance output terminals. These knobs allow you to fine-tune the output levels of the L and R channels individually.

#### ⑧ REMOTE (PARALLEL) terminal

This D-Sub 37-pin connector is used for performing fader start and other external controls. (→ page 25 "Parallel Control")

#### ⑨ REMOTE (SERIAL) terminal

This terminal is for connecting the Remote Control Unit RC-601MKII (sold separately). This terminal is an RS-232C-compliant serial control terminal. So, a PC or other device can be connected to this terminal to control the CD player. (→ page 26 "Control from the RS-232C interface")

#### ⑩ POWER switch

Switches the power ON/OFF.

#### ⑪ ~ IN connector

The power cable (supplied) is connected to this connector.

# BASIC OPERATIONS

---

## Online Playback and Monitor Playback

---

The CD player has two playback modes, online playback and monitor playback. The output destination in each of these playback modes can be set individually.

For example, in sites such as broadcasts and events, the monitor playback mode can be used to cue tracks or playback points before the final take, and then the CD player can be set to online standby (READY), and online playback can be performed from that point at the time of the final take.

On this CD player, the UNBALANCED analog output terminal and SPDIF digital output terminal are positioned as terminals for monitor output, and the BALANCED analog output terminal and AES/EBU digital output terminal are positioned as terminals for online output.

Note, however, that in the default setting both the monitor playback signal and the online playback signal are output in the same way from all analog/digital output terminals.

By changing the menu setup, you can set the UNBALANCED analog output terminal and SPDIF digital output terminal for monitor exclusive output, or the BALANCED analog output terminal and the AES/EBU digital output terminal for online exclusive output. (→ page 22 “Setting the Terminals for Online Output”) (→ page 22 “Setting the Terminals for Monitor Output”)

### [NOTE]

- This manual refers to the online playback standby state as “online READY” and the monitor playback standby state as “monitor PAUSE.”

## Preparations

---

- 1 Turn the **POWER** switch on the rear panel to ON.
  - When the Remote Control Unit RC-601MKII (sold separately) is used, connect the unit with the CD player turned OFF.
- 2 Press the **OPEN/CLOSE** key to open the disc tray.
- 3 Load the disc in the tray with the label face up.
- 4 Press the **OPEN/CLOSE** key to close the disc tray.

The total number of tracks on the disc and total playing time will be displayed on the display window.

### [NOTE]

- Instead of pressing the **OPEN/CLOSE** key, you can also close the disc tray by pressing the **PLAY/PAUSE**, **READY** or **TRACK** keys.

## Selecting the Playback Mode

---

You can select the playback mode by using the **PLAY MODE** key.

Each press of this key switches the playback mode in the following order:

Regular playback (all tunes) → single playback → program playback

The current playback mode is displayed in the playback mode display area of the display window.

<b>Playback Mode</b>	<b>Display Window</b>	<b>Operation</b>
Regular playback	(nothing displayed)	Tunes are played back in disc track order. (regular playback)
Single playback	<b>SINGLE</b> lit	Only the selected track is played back.
Program playback	<b>PROGRAM</b> lit	Tunes are played back in the preset program order.

- The selected playback mode is backed up on the CD player. So, the same mode is reproduced when the CD player is next turned ON.

## BASIC OPERATIONS

### Playing a Specific Tune from the Beginning (SINGLE play)

The following describes the procedure for playing the final take (online playback) after selecting and confirming a desired tune (monitor playback). The following description assumes that the procedure is performed with menu items at their default settings.

- 1 Select the single mode using the **PLAY MODE** key.

Press the **PLAY MODE** key several times until "**SINGLE**" is lit in the playback mode display area of the display window.

- 2 Press the **PLAY/PAUSE** key to enter the monitor PAUSE mode. The **PLAY/PAUSE** key starts blinking.
- 3 Select the tune (track) to play back using the **TRACK** key.

The monitor PAUSE mode is enabled at the start of the selected track.

- 4 To check the playback sound, press the **PLAY/PAUSE** key to perform monitor playback.

- In addition to using an external monitor system, the monitor playback sound can also be checked on headphones connected to the **PHONES** terminal on the CD player.

- 5 After checking the monitor playback sound, press the **READY** key.

The disc returns to the tune start point, and the CD player enters the online READY mode. (The **READY** key is lit.)

- 6 Press the **ON LINE** key to start online playback.

When the tune ends, playback automatically stops.

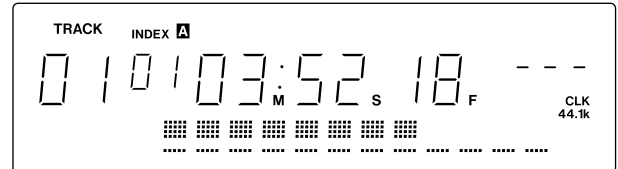
- To cancel playback, press the **STOP** key.

#### [NOTE]

- In the default setting, the failsafe function is ON, and operation of keys other than **STOP**, **PLAY MODE** and **DISP MODE** is not accepted during online playback. However, the menu system can be used to set the failsafe function OFF. (→ page 23 "Failsafe Function")

### Display of playback position

During playback, the approximate playback position in the track is displayed on the character display area of the display window in the form of a 12-dot bar. The number of square dots in this bar increases the further playback progresses. The following example shows that about 2/3 of the track has been played back.



When the time display in the display window is the track remaining mode (**REMAIN**), all of the square dots light at the beginning of the track, and decrease as playback progresses.

## BASIC OPERATIONS

### Playing from an Intermediate Point in a Tune

To search for any intermediate point in a tune and play back the final take from that point, select the track at step 3 in procedure on the previous page, and perform the following.

- 4 Press the **PLAY/PAUSE** key to perform monitor playback, and proceed to near the desired point.
- 5 Press the **PLAY/PAUSE** key near the desired point to set to the monitor PAUSE mode.
- 6 Search the desired point using the **SEARCH** key.

#### [NOTE]

- One light touch of the **SEARCH** key in the monitor PAUSE mode moves the point forwards or backwards in single-frame units. Holding down the **SEARCH** key increases the search speed. (→ page 16 “Searching for an Intermediate Point in a Tune”)
- 7 When the desired point is found, press the **PLAY/PAUSE** key again to perform monitor playback, and confirm the point.
  - 8 Press the **READY** key.

The disc returns to the point preset in step 6, and the CD player enters the online READY mode. (The **READY** key is lit.)

To adjust the setting point, press the **PLAY/PAUSE** key to enter the monitor PAUSE mode, and return to step 6.

- 9 Press the **ON LINE** key to start playback.

When the tune ends, playback stops.

- To cancel playback, press the **STOP** key.

### Auto-registering Cue Points

In the default setting, the position where monitor playback was last started from the monitor PAUSE mode is automatically registered as the cue point. When the **READY** key is pressed during monitor playback, the CD-601MKII is located to the cue point and enters the online READY mode.

By using menu item No. 20 (“CUE\_SET”), you can select either of the following two conditions as the condition for auto-registering the cue point.

**NOR** (default setting): The position where monitor playback was last started from the monitor PAUSE mode is automatically registered as the cue point.

**RDY** : The position where monitor playback was started from the monitor PAUSE mode, or the position where the **READY** key was pressed from the monitor PAUSE mode is auto-registered as the cue point.



- For details on menu operations, see “Menu Operations” (page 17).

#### [NOTE]

- When the Remote Control Unit RC-601MKII (sold separately) is used, the above auto-registered cue points can be registered to CUE1 to CUE10.

## BASIC OPERATIONS

---

### Details of Transport Key Operations

---

#### READY key (II)

Pressing this key sets the CD player to the online READY (standby) mode.

To perform online playback, the CD player must first be set to the online READY mode.

Audio signals are not output from any of the terminals unless the CD player is in the online READY mode.

#### Online READY point

The online **READY** point is as follows according to the state of the CD player when the **READY** key is pressed.

- When the tray is open: Start of track 1 on the disc
- In the monitor PAUSE mode: Point when the **READY** key was pressed
- When disc operation is stopped/in the monitor playback mode: Start of track 1 on the disc (when a cue point is not registered), or the position where monitor playback was last started from the monitor PAUSE mode (cue point)
- During online playback (only when the failsafe setting is OFF): Point when the **READY** key was pressed

#### [NOTE]

- When the failsafe setting is ON, operation of the **TRACK**, **SEARCH**, **INDEX**, and **MENU** keys is not accepted in the online READY mode. (→ page 23 “Failsafe Function”)

#### ON LINE key (▶)

When this key is pressed in the online READY mode (**READY** key is lit), online playback is started. During online playback, this key is lit (green).

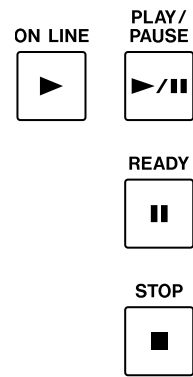
In a mode other than the online READY mode, online playback is not started even if this key is pressed.

To cancel online playback, press the **STOP** key.

In the default setting, the online playback signal is output from all analog /digital output terminals. Note, however, that the online playback signal can be set in menus not to be output from the UNBALANCED analog output terminal and SPDIF digital output terminal. (→ page 22 “Setting the Terminals for Monitor Output”)

#### [NOTE]

- When the failsafe function is ON, operation of keys other than **STOP**, **PLAY MODE** and **DISP MODE** is not accepted during online playback. (→ page 23 “Failsafe Function”)



#### PLAY/PAUSE key (▶/II)

When this key is pressed while disc operation is stopped, in the online READY mode or during monitor playback, the CD player enters the monitor PAUSE mode. When this key is pressed in the monitor PAUSE mode, monitor playback is started.

#### [NOTE]

- When failsafe is set to OFF, the CD player enters the monitor PAUSE mode also when this key is pressed during online playback. (→ page 23 “Failsafe Function”)

In the monitor PAUSE mode, “PAUSE” is displayed in the character display area of the display window.

In the default setting, the monitor playback signal is output from all analog /digital output terminals. Note, however, that the online playback signal can be set in menus not to be output from the BALANCED analog output terminal and AES/EBU digital output terminal. (→ page 22 “Setting the Terminals for Online Output”)

During monitor playback, the **PLAY/PAUSE** key is lit yellow, and in the monitor PAUSE mode, it blinks.

#### [NOTE]

- When this key is pressed while the disc tray is open, the disc tray closes and the CD player then enters the monitor PAUSE mode at the start of track 1.
- When this key is pressed while disc operations are stopped, the CD player enters the monitor PAUSE mode at the start of track 1.

#### STOP key (■)

When this key is pressed during online playback, in the online READY mode, during monitor playback, or in the monitor PAUSE mode, the disc will stop. This key is lit while disc operations are stopped.

Note, however, that when the incremental play function is set to ON, and the **STOP** key is pressed during online playback and monitor playback, the CD player stands by at the start of the next tune to be played at either the online READY or monitor PAUSE mode according to the auto cue up setting.



---

### Selecting the playback point

---

#### Selecting a track

Tracks can be selected (skipped) using the **TRACK**(**I◀◀/▶▶I**) key.

##### **I◀◀** key:

Pressing this key when the elapsed time of a track is one second or more, the CD player returns to the start of that track. When the elapsed time is less than one second, the CD player skips to the start of the previous track.

##### **▶▶I** key:

The CD player skips to the start of the next track. Pressing this key again makes the CD player skip to the start of the following track.

- In the program playback mode, the CD player skips to the previous and next tracks according to the program order.
- When the **I◀◀** key is pressed at the start of track 1, the CD player skips to the start of the final track, and when the **>>I** key is pressed at the final track, the CD player skips to the start of the first track.
- When the **I◀◀** or **▶▶I** key is pressed while disc operations are stopped, the CD player skips to the start of the first track on the disc.

#### CD player operation after track selection

Operation of the CD player after a track is selected by the **TRACK** key differs according to the operating state of the CD player when this key is pressed, the ON/OFF state of the auto cue function, and the auto cue up setting. (→ page 20 “Auto Cue Function”)

##### When the auto cue function is ON:

When the auto cue function is ON, the CD player basically stands by according to the auto cue up setting.

##### When the auto cue function is OFF:

The CD player enters the same state as that before the **TRACK** key is pressed. Note, however, that the CD player enters the monitor playback mode when a track has been selected while disc operations were stopped or while the tray was open.

---

### Selecting the index

When the **INDEX** key is pressed to set to the index search mode (INDEX indicator is lit), the index can be selected (skipped) by using the **TRACK** key.

The operation mode after index selection conforms to operation after track selection. The auto cue function also is active. (The CD player stands by at the audio start point of the index.)

---

### Searching for an intermediate point in a tune

You can search for cues in a tune by holding down the **SEARCH** (**◀◀/▶▶**) key during monitor playback or in the monitor PAUSE mode.

When the failsafe function is OFF, cue searches are also possible in the online READY mode. (→ page 23 “Failsafe Function”)

#### [NOTE]

- During a cue search, the playback output level automatically drops by about 12 dB.

Holding down the **SEARCH** key during monitor playback performs a cue search at about ten times the regular speed.

Holding down the **SEARCH** key in the monitor PAUSE mode gradually increases the search speed.

# MENU OPERATIONS

Various settings on the CD player can be made using the menu system.

## Menu Configuration

The menu contains the following items.

Menu No.	Item Display	Details Display	Description	Reference Item
01	A_CUE	Auto cue level	Auto cue level setting	"Setting the Auto Cue Level" (p. 21)
02	ONLINE	Online play output	Setting the terminals for online output	"Setting the Terminals for Online Output" (p. 22)
03	MONI	Monitor output	Setting the terminals for monitor output	"Setting the Terminals for Monitor Output" (p. 22)
04	CLOCK	Clock source	Operation clock setting	"Referencing to an External Clock Source" (p. 23)
05	PROG	Program setting	Program setting	"Program Playback" (p. 20)
06	INCR_P	Incremental play	Incremental play ON/OFF	"Incremental Play Function" (p. 21)
07	TIMER	Timer play	Timer play ON/OFF	"Timer Play Function" (p. 24)
08	OUTPUT	Output stereo mono	Output stereo/monaural setting	"Setting Stereo/Monaural" (p. 22)
09	OUT_L	Output level	Output level setting	"Setting the Output Level" (p. 22)
10	F_SAFE	Fail safe	Failsafe function ON/OFF during online playback/READY	"Failsafe Function" (p. 23)
11	EOM	End of message time	End of track warning display setting	"Displaying the End of Track Warning" (p. 23)
12(*)	E_CHK	End check time	End check time setting	RC-601MKII Owner's Manual
13(*)	BANK	Memory BANK select	Memory back selection	RC-601MKII Owner's Manual
14	F_STAR	Fader start polarity	Setting fader start polarity	"Setting fader start/stop" (p. 25)
15	F_STOP	Fader stop state	Setting the state of the CD player at a fader stop	"Setting fader start/stop" (p. 25)
16	CUE_UP	Auto CUE up state	Setting the CD player standby mode during an auto cue or an auto ready	"Auto Ready Function" (p. 21)
17(*)	RMT	Remote control	CD player operation enable/disable setting when remote control (*) RC-601MKII is used	RC-601MKII Owner's Manual
18	FRAME	Frame display	Setting the frame display of the time display area of the display window	"Clearing the Frame Display" (p. 24)
19	TIME	Time display	Setting the time display switching pattern	"Switching the Time Display" (p. 23)
20	CUESET	Cue point set	Cue point setting	"Auto-registering Cue Points" (p. 14)
21	A_CLR	Memory ALL clear	Memory all clear	"Clearing Menu Settings" (p. 19)
22	USER	User setting	Calling up user banks to save settings to	"Saving Menu Settings" (p. 19)
23	RS232C	Com PORT baud rate	RS-232C baud rate setting	"Setting the baud rate" (p. 26)
(none)	xxxxH	Motor addition time display	Motor total drive time display	"Viewing the Total Motor Time" (p. 24)

\* Menu items followed by an asterisk (\*) in the above table are valid when the Remote Control Unit RC-601MKII (sold separately) is connected.

For details on these menu items, refer to the RC-601MKII Owner's Manual.



## MENU OPERATIONS

---

### Saving Menu Settings

---

Settings made to each of the menu items can be saved to user banks.

Five user banks (U1 to U5) are provided, and menu settings when the CD player is turned OFF are stored to the currently selected user bank.

You will find it more convenient to save optimum menu settings to individual user banks depending on your specific work requirements.

The user bank can be selected by using menu No. 22 ("USER").

**Selection:** U1 (default setting) to U5, PRE



When the CD player is turned ON, the menu settings saved to the currently selected user bank are reproduced. When PRE is selected, all menu settings are returned to their defaults.

When a user bank is changed using the above menu item ("USER") during operations, the menu settings change to those of the newly selected user bank. (The CD player need not be turned OFF then back ON again.)

### Clearing Menu Settings

---

The menu settings currently saved to a user bank can be cleared to return them to their defaults. User banks can be batch-cleared or cleared individually.

#### Clearing all user banks

Set menu No. 22 to "PRE" and use menu No. 21 ("A\_CLR") to clear all user banks.

When menu No. 21 ("A\_CLR") is selected, the message "SURE?" will be displayed. Press the **ENTER** key to clear the user banks.

All menu settings currently saved to user banks (U1 to U5) will be cleared and returned to their defaults.



#### [NOTE]

- When Remote Control Unit RC-601MKII (sold separately) is used, a memory clear also clears the disc information of memory banks (A to E).

#### Clearing individual user banks

- 1 Select the user bank to be cleared in menu No. 22.
- 2 Simultaneously press the + and - keys.

# PLAYBACK-RELATED FUNCTIONS

## Program Playback

The program playback function can be used to play back a disc in any desired track order. Up to 30 tracks can be programmed.

### Entering the program mode

Select the program mode using the **PLAY MODE** key.

Press the **PLAY MODE** key for the required number of times until **"PROGRAM"** is displayed in the message display area of the display window.

In the program mode, the disc is played backed according to the program made by the method described as follows.

### Programming

- 1 Press the **MENU** key to enter the menu mode.
- 2 Press the +/- key, select menu No. 05 ("PROG"), and press the **ENTER** key.

The display window changes to the program setup screen.



- 3 Select the desired track using the **TRACK** key, and press the **ENTER** key.

The selected track is set as the 1st tune (program No. 01) of the program, and the next tune (program No. 02) can be set.



- 4 Repeat step 3 above for the required number of times to make the desired program.
- 5 When you have finished making the program, press the **MENU** key to exit the menu mode.

### Swapping programmed tracks

You can swap programmed tracks by performing the following procedure while the program setup screen is displayed.

- 1 Press the **SEARCH** key to select the program No. that you want to swap.
- 2 Select the desired track using the **TRACK** key, and press the **ENTER** key.
- 3 When you have finished swapping the track, press the **MENU** key to exit the menu mode.

### Adding program tunes

You can add a program tune by performing the following procedure while the program setup screen is displayed.

- 1 Press the **SEARCH** key, and select the location to add a tune.

For example, to add a new tune between the tunes currently preset to program Nos. 2 and 3, select program No. 3.

- 2 Press the **+** key.
- 3 Select the track to add to using the **TRACK** key, and press the **ENTER** key.
- 4 When you have finished adding tunes, press the **MENU** key to exit the menu mode.

### Deleting program tunes

You can delete a program tune by performing the following procedure while the program setup screen is displayed.

- 1 Press the **SEARCH** key, and select the program number that is preset with the tune to delete.

- 2 Press the **-** key.

This deletes the tune, and the program numbers of the following tunes are rounded up.

- 3 When you have finished deleting tunes, press the **MENU** key to exit the menu mode.

### Clearing a program

Opening the disc tray clears the program.

#### [NOTE]

- The program settings are not cleared even if the CD player is turned OFF with a disc loaded.

### Auto Cue Function

When the auto cue function is turned ON, the CD player automatically stands by (in the online READY or monitor PAUSE mode) at the audio start point of the track when the track is selected or when the auto ready function is ON. (→ page 16 "Selecting the Track")

Press the **AUTO CUE** key to turn the auto cue function ON/OFF. When the auto cue function is ON, **"A.CUE"** is lit in the display window.

- The auto cue function ON/OFF setting is backed up on the CD player. So, the same setting is reproduced when the CD player is next turned ON.

After searching for the audio start point on the track with the auto cue function ON, whether the CD player enters the online READY mode or the monitor PAUSE mode is determined according to the auto cue up setting described below.

## PLAYBACK-RELATED FUNCTIONS

### Setting the Auto Cue Level

Select from the following auto cue levels using menu No. 01 ("A\_CUE"). The point where signals at the auto cue level or above first appear on the selected track are recognized as the audio start point.

**Selection** : -72 dB (default setting), -66 dB, -60 dB, -54 dB, -48 dB



### Setting Auto Cue Up

Select whether the CD player enters the online READY mode or the monitor PAUSE mode when the auto cue function is activated using menu No. 16 ("CUE\_UP").

**Selection**: RDY (online READY, default setting), PUS (monitor PAUSE)



#### [NOTE]

- The CD player also enters the online READY or monitor PAUSE mode according to the auto cue up setting when the auto ready function is activated.

### Auto Ready Function

When the auto ready function is ON, CD player stands by at the start of the next track after a track is played back.

Press the **AUTO RDY** key to turn the auto ready function ON/OFF. When the auto ready function is ON, "A.READY" is lit in the display window.

- The auto ready function ON/OFF setting is backed up on the CD player. So, the same setting is reproduced when the CD player is next turned ON.

When the auto ready function is activated, the CD player enters the online READY or monitor PAUSE mode according to the setting of menu No. 16 ("CUE\_UP"). (→ above "Setting Auto Cue Up")

Also, the CD player stands by at the following points according to the playback mode:

Regular playback	: Start of next track
Single playback	: Start of current track
Program playback	: Start of next programmed track

#### [NOTE]

- When the auto ready function and the auto cue function are used together, the CD player stands by at the audio start point of the next track after a track is played.

### Pitch Control Function

The pitch control function can be used to control the playback speed within the  $\pm 12.5\%$  range.

Press the **PITCH** key to turn the pitch control function ON/OFF. When the pitch control function is ON, "PITCH" and the current pitch control value are lit in the display window.



When the pitch control function is ON, the +/- keys can be used to set the pitch control values in 0.1% increments.

Pressing both the + and - keys simultaneously resets the pitch control value to 0.0%.

- The pitch control function ON/OFF setting and pitch control value are backed up on the CD player. So, the same settings are reproduced when the CD player is next turned ON.

#### [NOTE]

- Even when the pitch control function is activated, a digital signal of sampling frequency 44.1 kHz is output at all times from the digital output terminal on the CD player. Note, however, that when the CD player is synchronized to a 48 kHz external word clock signal, a digital signal of sampling frequency 48 kHz is output.

### Incremental Play Function

When the incremental play function is ON, and the **STOP** key is pressed during online playback and monitor playback, the CD player stops at the start of the next track, and stands by at either the online READY or monitor PAUSE mode according to the auto cue up setting.

#### [NOTE]

- In the program playback mode, playback skips to the start of the next programmed track. In the single playback mode, playback skips to the start of the current track.

Select incremental function ON/OFF using menu No. 06 ("INCR\_P").

**Selection**: OFF (default setting), ON



#### [NOTE]

- When the **MONITOR** button on the Remote Control Unit RC-601MKII (sold separately) or the No. 2 pin (MONITOR PLAY IN) of the REMOTE (PARALLEL) terminal is used, playback can skip to the start of the next track and start monitor playback. Also, when the **ONLINE** button on the Remote Control Unit RC-601MKII (sold separately) or the No. 1 pin (ONLINE PLAY IN) of the REMOTE (PARALLEL) terminal is used, playback can skip to the start of the next track during online playback and start online playback as long as the failsafe function is OFF.

# OUTPUT-RELATED SETTINGS

## Setting the Terminals for Online Output

The BALANCED analog output terminal and AES/EBU digital output terminal are basically provided as terminals for online output. In the default setting, both of the monitor playback signals and online playback signals are output from these terminals. However, by using menu item No. 02 ("ON LINE") you can set so that only the online playback signal is output from these output terminals.

**OFF** (default setting):

Audio signals are output from the BALANCED analog output terminal and AES/EBU digital output terminal during both online playback and monitor playback.

**ON:**

Audio signals are output from the BALANCED analog output terminal and AES/EBU digital output terminal only during online playback.



## Setting the Terminals for Monitor Output

The UNBALANCED analog output terminal and SPDIF digital output terminal are basically provided as terminals for monitor output. In the default setting, both of the monitor playback signals and online playback signals are output from these terminals. However, by using menu item No. 03 ("MONI") you can set so that only the monitor playback signal is output from these output terminals.

**OFF** (default setting):

Audio signals are output from the UNBALANCED analog output terminal and SPDIF digital output terminal during both online playback and monitor playback.

**ON:**

Audio signals are output from the UNBALANCED analog output terminal and SPDIF digital output terminal only during monitor playback.



### [NOTE]

- The playback signal is output from the **PHONES** terminal during both monitor playback and online playback regardless of the above setting.

## Setting Stereo/Monaural

The playback output signal can be set to monaural.

Set monaural using menu No. 8 ("OUTPUT").

**Selection:** ST (STEREO, default setting), MON (MONO)



## Setting the Output Level

You can select the maximum output level of the BALANCED analog output terminal.

Set the maximum output level using menu No. 09 ("OUT\_L").

**Selection:** +24 (default setting), +22, +20, +15 (dBu)





# OTHER FUNCTIONS & SETTINGS

## Referencing to an External Clock Source

The CD player can be operated referenced to an external digital clock.

- 1 Connect the word clock from an external source to the **WORD SYNC IN** terminal on the rear panel.
- 2 Set menu No. 04 ("CLOCK") to "EXT".  
"EXT CLK" and the sampling frequency ("44.1k" or "48k") are lit on the clock display area of the display area.

The default setting is "INT" (referenced to internal clock).

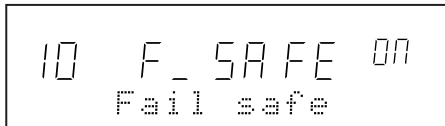


## Failsafe Function

The failsafe function is a safety function for preventing playback from discontinuation when an operation key is touched inadvertently during a final take.

In the default setting, the failsafe function is ON, and operation of keys other than **STOP**, **PLAY MODE** and **DISP MODE** is not accepted during online playback. Also, in the online READY mode, operation of search-related keys such as the **TRACK** key and numeric keys and the **MENU** key is not accepted.

When the failsafe function is set to OFF ("OFF") using menu No. 10 ("F\_SAFE"), all keys (excluding the **SEARCH** key during online playback) are functional.



## Displaying the End of Track Warning

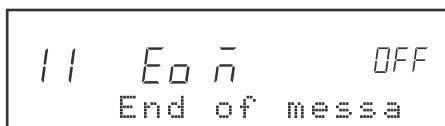
The end of track warning (EOM = End of Message) can be displayed in the display window in the online playback and monitor playback modes. (In the default setting, the warning is not displayed.)

When the end of track warning is set to be displayed, the countdown to the end of the track is displayed.

Set the end of track warning display using menu No. 11 ("EOM").

**OFF** (default setting): The end of track warning is not displayed.

**10, 15, 20, 30, 60, 90**: The countdown display starts from the end of the track by the preset number of seconds.

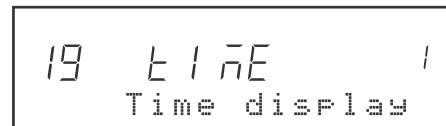


## Switching the Time Display

Each press of the **DISP MODE** key during playback switches the time information in the display window. As the default setting, the time display mode is switched between "track elapsed time" and "track remaining time."

The type of time display that is switches using the **DISP MODE** key can be selected in menu No. 19 ("TIME"). Selections are displayed at 1 to 4.

- 1 (default setting): Track elapsed time ↔ track remaining time
- 2 : Track elapsed time ↔ track remaining time ↔ disc remaining time
- 3 : Track elapsed time ↔ track remaining time ↔ disc remaining time ↔ disc total time
- 4 : Track elapsed time ↔ track remaining time ↔ disc remaining time ↔ disc total time « track time



The current time display mode is displayed as follows at the top of the display window.

- Track elapsed time : (no display)
- Track remaining time : **REMAIN** is lit.
- Disc remaining time : **TOTAL REMAIN** is lit.
- Disc total time : **TOTAL** is lit.
- Track time : **TOTAL** blinks.

- The time display setting is backed up on the CD player. So, the same setting is reproduced when the CD player is next turned ON.

### [NOTE]

- While disc operations are stopped, the disc total time is displayed.

## OTHER FUNCTIONS & SETTINGS

---

### Clearing the Frame Display

---

The frame digit in the time display that is displayed in the display window can be cleared.

Select from the following using menu No. 18 ("FRAME"):

**ON** (default setting): The frame digit is displayed.

**OFF**: The frame digit is not displayed.

**AUTO**: The frame digit is not displayed only during online playback.



18 F r A ñ E ON  
Frame displa

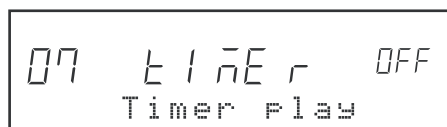
### Timer Play Function

---

When the timer play function is set to ON, monitor playback is started automatically when the CD player is turned ON.

Select timer play function ON/OFF using menu No. 07 ("TIMER").

**Selection**: OFF (default setting), ON

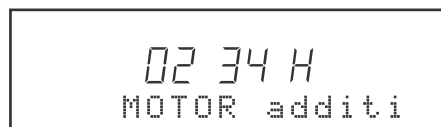


07 T I ñ E r OFF  
Timer Play

### Viewing the Total Motor Time

---

To view the total time that the CD mechanism motor in the CD player has been used, select the item following menu No. 23 (before menu No. 01) without a menu No.



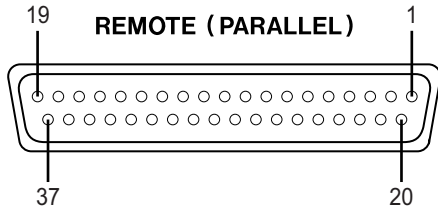
02 34 H  
MOTOR additi

The menu example above shows that the total motor time is 234 hours.

# EXTERNAL CONTROL

## Parallel Control

The CD player can be controlled on the parallel interface from external equipment using the **REMOTE (PARALLEL)** terminal (37-pin D-Sub connector) on the rear panel.



### Pin Arrangement

Pin No.	Signal Name	IN/OUT
1	ON LINE PLAY IN	IN
2	MONITOR PLAY IN	IN
3	PAUSE IN	IN
4	READY IN	IN
5	STOP IN	IN
6	TRACK SEARCH REV IN [ << ]	IN
7	N.C	-
8	TRACK SEARCH FWD IN [ >> ]	IN
9	SEARCH REV IN [ << ]	IN
10	SEARCH FWD IN [ >> ]	IN
11	MONITOR PLAY TALLY	OUT
12	READY TALLY	OUT
13	PAUSE TALLY	OUT
14	STOP TALLY	OUT
15	INDEX SEARCH REV IN [ <- ]	IN
16	INDEX SEARCH FWD IN [ -> ]	IN
17	ON LINE PLAY TALLY	OUT
18	FLASH READY IN	IN
19	FLASH MODE IN	IN
20	EOM OUT	OUT
21	FADER START/STOP IN	IN
22	ONLINE PLAY / MONITOR PLAY OUT	OUT
23	TEN KEY 0 IN	IN
24	TEN KEY 1 IN	IN
25	TEN KEY 2 IN	IN
26	TEN KEY 3 IN	IN
27	TEN KEY 4 IN	IN
28	TEN KEY 5 IN	IN
29	TEN KEY 6 IN	IN
30	TEN KEY 7 IN	IN
31	TEN KEY 8 IN	IN
32	TEN KEY 9 IN	IN
33	STOP/READY OUT	OUT
34	FLASH READY TALLY	OUT
35	FLASH MODE TALLY	OUT
36	GND	-
37	+5 V	-

### Parallel control I/O specifications

Input : +5 V pull-up, Low Active, 50 ms or more  
 Output : Open collector, 20 mA max.  
 +5 V (pin No. 37) max. current: 100 mA

## Setting fader start/stop

Fader start/stop is possible by connecting the No. 21 pin (FADER START/STOP IN) and No. 36 pin (GND) of the **REMOTE (PARALLEL)** terminal to the external interface. At a fader start, the CD player enters the online playback mode.

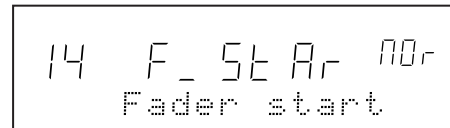
To start/stop the CD player from an external fader, set the following menu items.

### Setting fader start

Set the polarity using menu No. 14 ("F\_STAR").

**NOR** (NORMAL): Low Active. The CD player starts when the input signal is switched from High to Low.

**REV** (REVERSE): High Active. The CD player starts when the input signal is switched from Low to High.



### Setting fader stop

Set the state of the CD player at stop operation using menu No. 15 ("F\_STOP").

**STP** (STOP): The CD player stops.

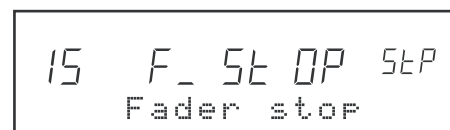
**RDY** (READY): The CD player enters the online READY mode.

**PUS** (PAUSE): The CD player enters the monitor PAUSE mode.

**CUE**: The CD player returns to the cue point (point at fader start), and enters the online READY mode.

**INC** (INCREMENT): The CD player enters the online READY mode at the start of the next track.

**PLY** (PLAY): Online playback is continued.



## EXTERNAL CONTROL

### Control from the RC-601MKII

Functions are added to the CD player and the CD player becomes easier to use by using the Remote Control Unit RC-601MKII (sold separately).

#### Expanded and additional functions by the RC-601MKII

- Time chart/index search using the numeric keys
- Search using the jog/search dial
- End check function that allows you to listen to the end of tracks
- 1 tune repeat, all tunes repeat, program repeat, repeat playback between A and B
- Max. 10 cue points can be set to a single disc.
- Flash start function using 10 cue points
- Cue point settings for 500 discs can be stored to memory.
- Playback between A and B using MEMO points and confirmation playback of points are possible.
- The monitor outputs of up to four CD-601MKII can be connected to RC-601MKII and monitored on headphones.

### Setting operation on the CD player

Operation on the CD player can be selected between enabled and disabled when the RC-601MKII is connected.

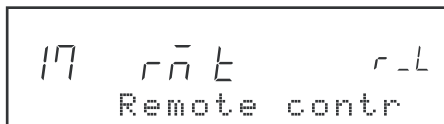
Set enable/disable using menu No. 17 ("RMT").

**R\_L** (REMOTE + LOCAL, default): Operation of the CD player is possible on both the RC-601MKII and the CD player.

**R** (REMOTE): Operation of the CD player is possible on only the RC-601MKII.

Operation of the CD player except the **OPEN/CLOSE** key is disabled.

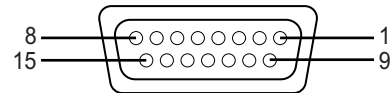
When the RC-601MKII is not connected, operation of the CD player is enabled regardless of the setting of this item.



### Control from the RS-232C interface

The CD player can be controlled on the serial interface from a PC or other external equipment using the **REMOTE (SERIAL)** terminal (15-pin D-Sub connector, RS-232C-compliant) on the rear panel. For details, contact us.

#### REMOTE (SERIAL)



#### Pin Arrangement

Pin No.	Signal Name	IN/OUT	
1	SHIELD	-	Shielded (shell ground)
2	RX	IN	Receive data
3	(Reserved)	-	Reserved
4	(Reserved)	-	Reserved
5	(Reserved)	-	Reserved
6	GND	-	Ground
7	(Reserved)	-	Reserved
8	(Reserved)	-	Reserved
9	TX	OUT	Send data
10	(Reserved)	-	Reserved
11	(Reserved)	-	Reserved
12	(Reserved)	-	Reserved
13	(Reserved)	-	Reserved
14	(Reserved)	-	Reserved
15	(Reserved)	-	Reserved

### Setting the baud rate

When the **REMOTE (SERIAL)** terminal is used to control the CD player, select the appropriate baud rate from the following using menu No. 23 ("RS232C").

**B-0:** (default when RC-601MKII is connected)

**B-1:** 1,200 bps

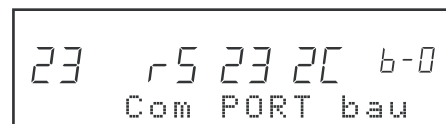
**B-2:** 2,400 bps

**B-3:** 4,800 bps

**B-4:** 9,600 bps

**B-5:** 19,200 bps

**B-6:** 38,400 bps



# SPECIFICATIONS

## Rating

Model:	CD player
Discs used:	Compact discs (12 cm, 8 cm)
Compatible discs:	Audio CD (CD-DA), CD-R, CD-RW,
Number of audio channels:	2 channels
Number of quantized bits:	16-bit linear/channel
Sampling frequency:	44.1 kHz
Transmission rate:	4.3218 MB/sec
Modulation method:	EFM
Pickup drive system:	Objective lens drive system, optical type 3 beams
Objective lens drive system:	2D parallel drive system
Light source:	Semiconductor laser
Wavelength:	780 nm

## ANALOG OUTPUTS

### BALANCED (L, R)

Connector:	XLR 3-31 or equivalent
Specified output level:	+4 dBu
Max. output level:	+24 dBu, +22 dBu, +20 dBu, +15 dBu (according to output level setting)
Output level calibration variable range:	0 dB to -6 dB or more
Output impedance:	150 $\Omega$

### UNBALANCED (L, R)

Connector:	RCA
Specified output level:	-10 dBV
Max. output level:	+6 dBV
Output impedance:	100 $\Omega$

### PHONES

Connector:	Stereo phone jack
Max. output level:	50 mW + 50 mW (at 32 $\Omega$ load)

## DIGITAL OUTPUTS

### AES/EBU

Connector:	XLR 3-31 or equivalent
Output signal format:	IEC60958-4 (AES/EBU)
Output impedance:	110 $\Omega$
Sampling frequency:	44.1 kHz, 48 kHz (at word synchronization)

### SPDIF

Connector:	RCA pin jack
Output signal format:	IEC60958-3 (S/PDIF)
Output impedance:	75 $\Omega$
Sampling frequency:	44.1 kHz, 48 kHz (at word synchronization)

## Other I/O

### WORD SYNC IN

Connector:	BNC
Input impedance:	75 $\Omega$ (automatic termination)
Input level:	TTL level
Synchronizing frequency range:	44.1 kHz $\pm$ 0.1% and 48 kHz $\pm$ 0.1%

### WORD SYNC THRU

Connector:	BNC
------------	-----

### REMOTE (PARALLEL)

Connector:	37-pin D-Sub female
------------	---------------------

### REMOTE (SERIAL)

Connector:	15-pin D-Sub female
Electrical characteristics:	RS-232C-compliant

## Analog Output Electrical Characteristics

The following characteristics are the balanced and unbalanced analog output specifications.

Playback frequency response:	20 Hz to 20 kHz, $\pm$ 0.5 dB
Signal-to-noise ratio:	102 dB or more (20 kHz LPF, A-weighted)
Dynamic range:	98 dB or more (20 kHz LPF, A-weighted) [1 kHz max. output level -60 dB]
Distortion (THD+N):	0.008% or less (20 kHz LPF) [1 kHz max. output level]
Channel Separation:	90 dB or more [1 kHz]
Wow flutter:	Measured limit value or less

## Other Characteristics

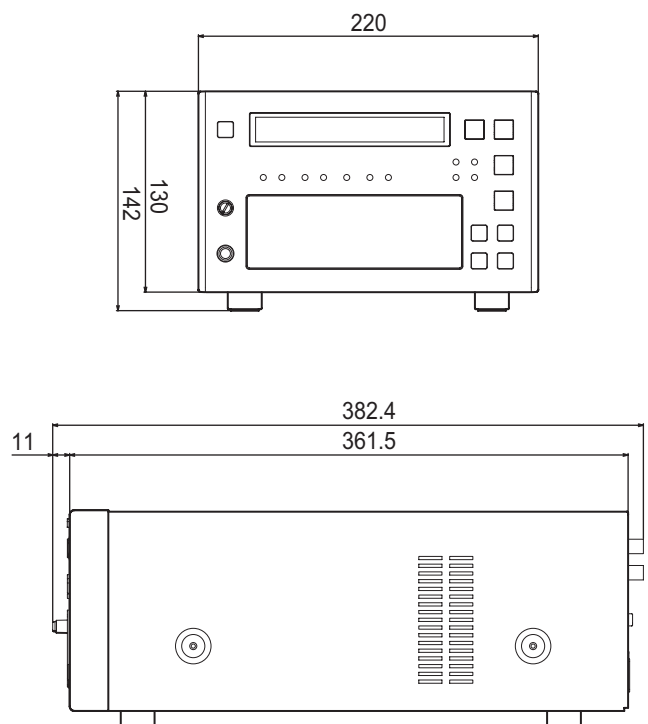
Audio rise time:	Within 10 msec
Anti-shock time:	20 seconds

## General

Power requirements:	
USA/CND:	120 V AC, 60 Hz
EUR/UK:	230 V AC, 50 Hz
AUS:	240 V AC, 50 Hz
Power consumption:	24 W
External dimensions:	220 W x 142 H x 382.4 D (mm) (including feet and protrusions)
Weight:	6.0 kg
Operating temperature:	5 to 35°C
Max. tilt of installation surface:	5 degrees
Accessories:	Power cable, Owner's Manual, Warranty

- Specifications and external appearance are subject to change without notice in the interest of product improvement.
- Note that illustrations in the Owner's Manual may differ on some products due to product improvements.

## External Dimensions



## SPECIFICATIONS

---

### List of Error Messages

---

If the following error messages are displayed during CD player use, try performing the remedies described in the following table.

Indication	Description	Remedy
ERR01	TOC READ Error	<ul style="list-style-type: none"><li>• The disc is scratched. → Replace the disc.</li><li>• The disc is dirty. → Clean the disc.</li></ul>
ERR02	GFS Error	
ERR03	Focus Error	
ERR04	SUBQ Error	Replace the disc.
ERR05	TRAY LOADING Error	Check the disc tray for foreign objects.
ERR06	SLED Error	Turn the power OFF then back ON again.
ERR07	SYSTEM Error	
ERR08	MEMORY Error	

# TASCAM

TEAC Professional Division

# CD-601MKII

## TEAC CORPORATION

Phone: +81-422-52-5082  
3-7-3, Nakacho, Musashino-shi, Tokyo 180-8550, Japan

[www.tascam.com](http://www.tascam.com)

## TEAC AMERICA, INC.

Phone: +1-323-726-0303  
7733 Telegraph Road, Montebello, California 90640

[www.tascam.com](http://www.tascam.com)

## TEAC CANADA LTD.

Phone: +1905-890-8008 Facsimile: +1905-890-9888  
5939 Wallace Street, Mississauga, Ontario L4Z 1Z8, Canada

[www.tascam.com](http://www.tascam.com)

## TEAC MEXICO, S.A. De C.V

Phone: +52-555-581-5500  
Campesinos No. 184, Colonia Granjes Esmeralda, Delegacion Iztapalapa CP 09810, Mexico DF

[www.tascam.com](http://www.tascam.com)

## TEAC UK LIMITED

Phone: +44-1923-438880  
5 Marlin House, Croxley Business Park, Watford, Hertfordshire. WD1 8TE, U.K.

[www.tascam.co.uk](http://www.tascam.co.uk)

## TEAC EUROPE GmbH

Phone: +49-611-71580  
Bahnstrasse 12, 65205 Wiesbaden-Erbenheim, Germany

[www.tascam.de](http://www.tascam.de)

## TEAC AUSTRALIA PTY.,LTD. A.B.N. 80 005 408 462

Phone: +61-3-9672-2400 Facsimile: +61-3-9672-2249  
280 William Street, Port Melbourne, Victoria 3000, Australia

[www.tascam.com.au](http://www.tascam.com.au)

## TEAC ITALIANA S.p.A.

Phone: +39-02-66010500  
Via C. Cantu 11, 20092 Cinisello Balsamo, Milano, Italy

[www.teac.it](http://www.teac.it)